

R Type Core

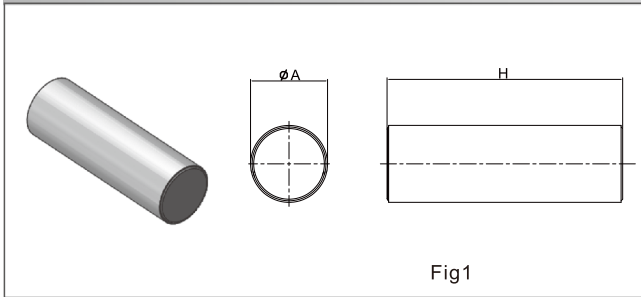


Fig1

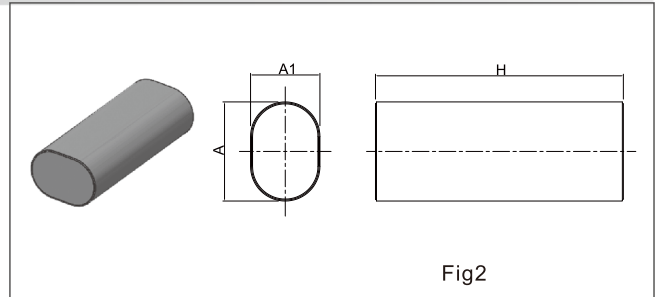
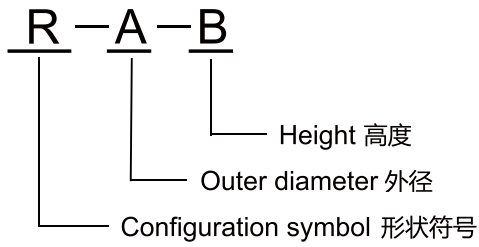


Fig2

Identification:



R Type Core

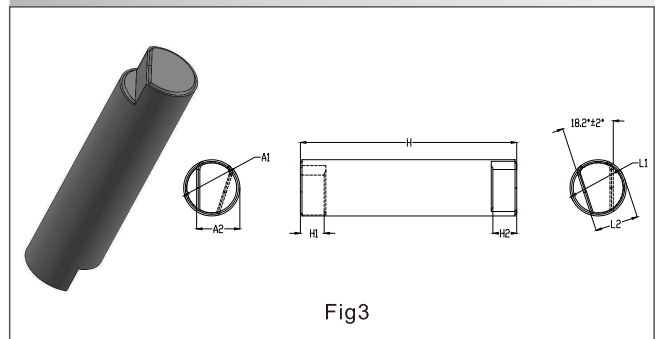


Fig3

Dimensions

| Part No.      | Item | Dimensions |           |           |  |  |     |
|---------------|------|------------|-----------|-----------|--|--|-----|
|               |      | $\Phi A$   | H         | A1        |  |  | Fig |
| R-0.8-4.0     |      | 0.80±0.1   | 4.00±0.15 |           |  |  | 1   |
| R-1.0-5.0     |      | 1.00±0.1   | 5.00±0.15 |           |  |  | 1   |
| R-1.2-4.5     |      | 1.20±0.1   | 4.50±0.2  |           |  |  | 1   |
| R-2.0-4.9     |      | 2.00±0.1   | 4.90±0.2  |           |  |  | 1   |
| R-2.0-10      |      | 2.00±0.1   | 10.0±0.3  |           |  |  | 1   |
| R-3.0-12      |      | 3.00±0.15  | 12.0±0.3  |           |  |  | 1   |
| R-4.0-6.0     |      | 4.00±0.15  | 6.00±0.3  |           |  |  | 1   |
| R-4.0-15      |      | 4.00±0.15  | 15.0±0.5  |           |  |  | 1   |
| R-4.9-15      |      | 4.90±0.15  | 15.0±0.5  |           |  |  | 1   |
| R-5.0-19      |      | 5.00±0.15  | 19.0±0.5  | 4.00±0.15 |  |  | 2   |
| R-5.0-20.8    |      | 5.00±0.15  | 20.8±0.5  |           |  |  | 1   |
| R-6.0-10      |      | 6.00±0.15  | 10.0±0.3  |           |  |  | 1   |
| R-6.0-20      |      | 6.00±0.15  | 20.0±0.5  |           |  |  | 1   |
| R-6.0-30      |      | 6.00±0.15  | 30.0±0.5  |           |  |  | 1   |
| R-6.35-24     |      | 6.35±0.15  | 24.0±0.5  |           |  |  | 1   |
| R-8.0-17      |      | 8.00±0.15  | 17.0±0.5  |           |  |  | 1   |
| R-8.0-30      |      | 8.00±0.15  | 30.0±0.5  |           |  |  | 1   |
| R-4.0-16.5-CC |      | 4.0±0.15   | 16.5±0.5  |           |  |  | 3   |
| R-5.0-25-CC   |      | 5.0±0.15   | 25±0.5    |           |  |  | 3   |
| R-5.95-29-CC  |      | 5.95±0.15  | 29±0.5    |           |  |  | 3   |
| R-9.9-28      |      | 9.9±0.15   | 28±0.5    |           |  |  | 1   |